



RENAULT SPORT

CLIO CUP

TECHNICAL BULLETIN N°2

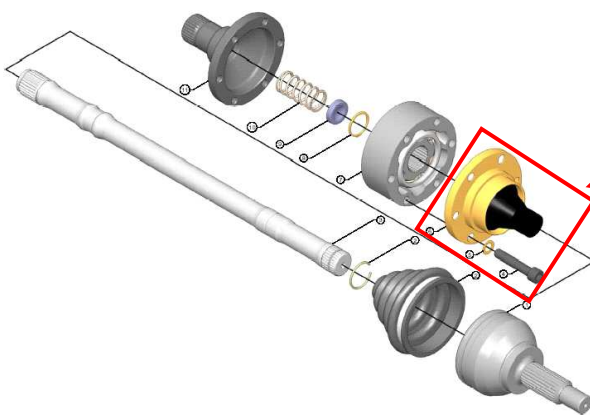
REFERENCE	BT_2012_X85CUP_02_UK
DATE	16th January 2012
SUBJECT	Steering intermediary shaft and Right transmission boot

CONCERNED : ALL CHAMPIONSHIPS

We inform you about 2 technical evolutions for 2012 season:

1- Right hand transmission boot

For reliability reasons, we recommend you to replace right hand transmission boot kit (gearbox side) by left hand transmission one:



This kit is available directly to RENAULT SPORT spare parts dept under the following references:

6 screws : 77 13 111 075

1 boot set (including boot, grease, 1 snap ring and 2 clamps) : 60 00 072 511

1 cover : 77 11 160 352

For 2012 season, both old and new version are allowed

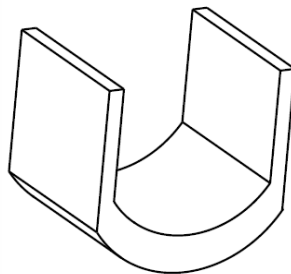


2- Steering intermediary shaft

All new cars manufactured in Alpine have been equipped with a new intermediary shaft (ref 77 11 167 502) since october 2011 :



This new shaft is mounted exactly the same way as before on steering rack side but requires a specific shim (77 11 167 501) on steering column side to compensate the diameter difference.



shim (77 11 167 501)

In consequence, the new intermediary shaft 77 11 167 502 can only be mounted with the specific shim 77 11 167 501.

Both old and new version are allowed for 2012 season but old shaft is no longer available.