

REFERENCE	BT_2011_X85CUP_02
DATE	8 th March 2011
SUBJECT	Mandatory elements for 2011 season

CONCERNING: All Championships

For the new 2011 Clio Cup championships, we remind you that the following elements **are mandatory**:

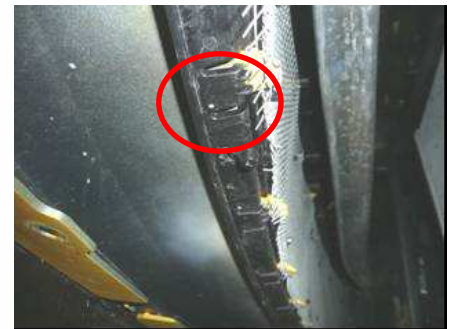
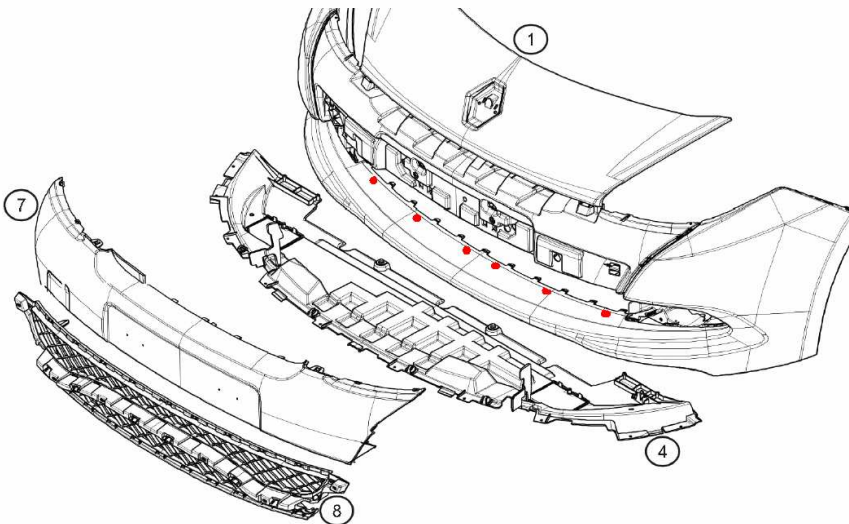
1- Tyres

As introduced last year, please find the only **mandatory** tyres for 2011, manufactured without aromatic oils to respect the new European regulation:

- Slick tyre : **S9C 20-61/17**
- Wet tyre : **P2E 20-61/17**

2- Reinforcement of the lower fence fasteners on the front bumper (See TB_2010_X85CUP_02)

As presented last year , to avoid the lower fence from coming off too easily and prevent the intruding of foreign elements in the engine compartment (gravel for example), we asked you to reinforce the fasteners, applying the instructions of TB_20120_X85CUP_02 :



All the instructions are available in the Clio Cup 2011 User manual.

3- Engine oil

The **only** allowed engine oil for all championships is **ELF EXCELLIUM NF 5w40**

All other oil types are strictly forbidden



RENAULT *SPORT*

CLIO **CUP**

4- Front bumper lateral fixation Reinforcement (See TB_2010_X85CUP_02)

To reinforce the lateral fixation of the front bumper and to avoid his separation in case of soft frontal choc or during a wheel contact, you have to install on the bumper kit



All the instructions are available in the Clio Cup 2011 User manual.

